

Free Birthday Craft

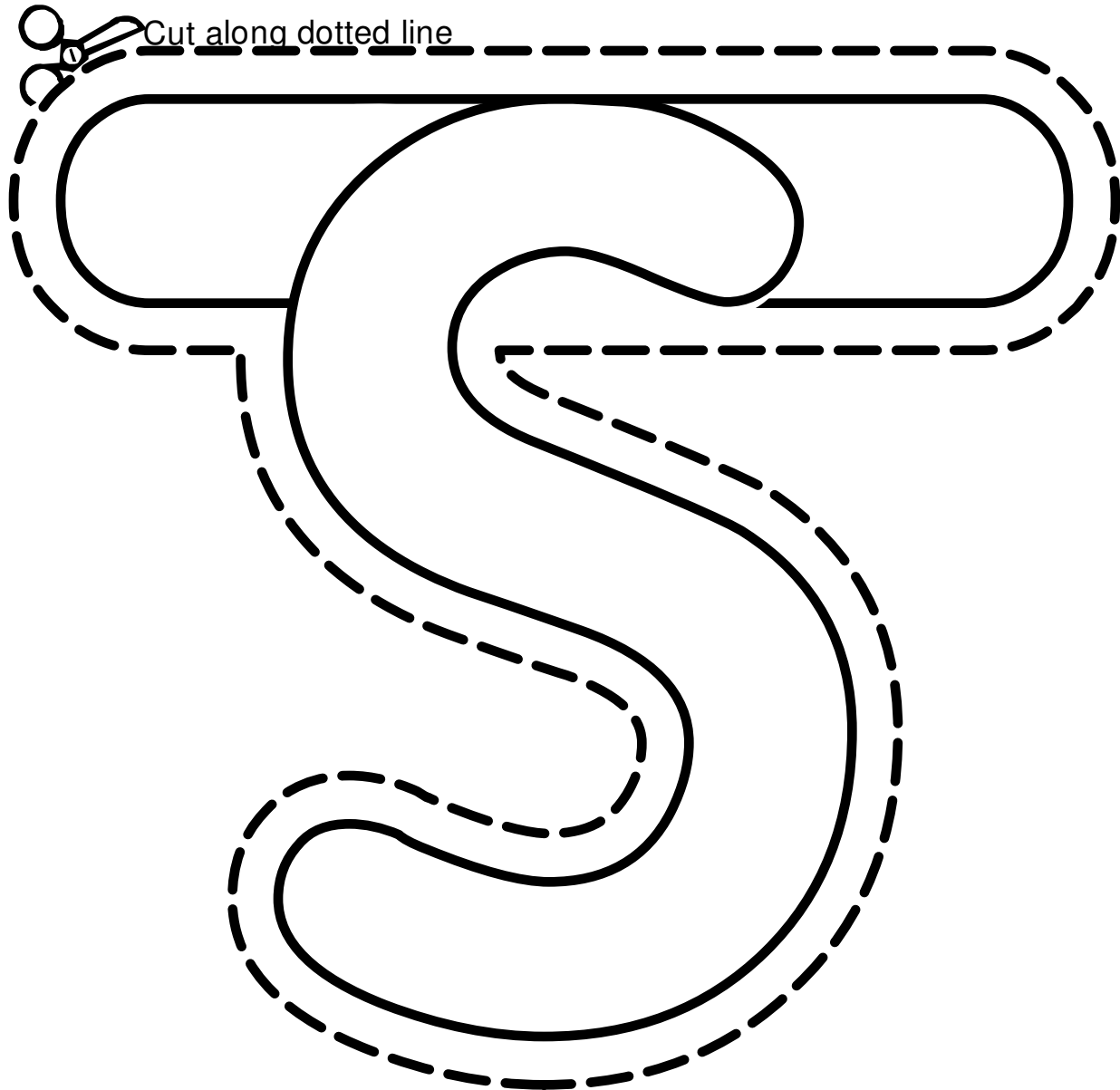
Printable Banner Letter S

www.Quality-Kids-Crafts.com

Directions: Print the letters you want to use for your banner on paper or card stock. Decorate as desired.

To put your banner together, consider punching holes with a hole punch on the top tab area of the letters. Join with paper fasteners (sometimes called brads) or string, ribbon or curling ribbon. You may choose to reinforce the holes by placing tape over the area where the hole will be before punching, or by using hole reinforcer stickers that are commonly used as office supplies.

Enjoy your banner!



Anyone may reproduce this free craft page and distribute it as long as its copyright notice remains in place, but it may not be sold under any circumstances whatsoever.
© Quality-Kids-Crafts.com 2008. All Rights Reserved. Please supervise children at all times. And hug them a lot!

Please use your discretion in using this craft page, keep it safe! Quality-Kids-Crafts is not liable for misuse of any unsafe practices while facilitated and will not be held responsible for any bad stuff that happens, okay? Thanks!

Free Birthday Craft

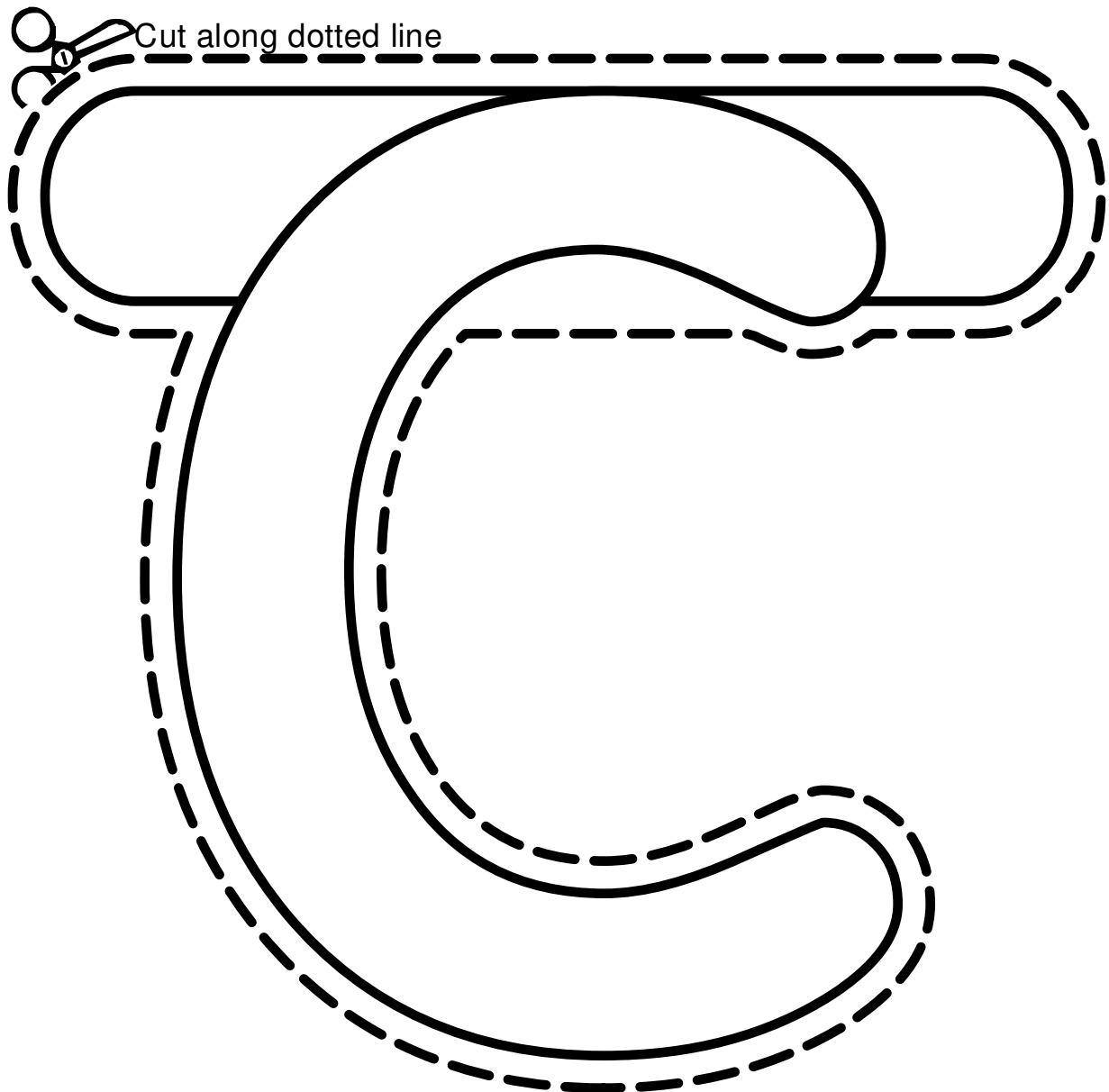
Printable Banner Letter C

www.Quality-Kids-Crafts.com

Directions: Print the letters you want to use for your banner on paper or card stock. Decorate as desired.

To put your banner together, consider punching holes with a hole punch on the top tab area of the letters. Join with paper fasteners (sometimes called brads) or string, ribbon or curling ribbon. You may choose to reinforce the holes by placing tape over the area where the hole will be before punching, or by using hole reinforcer stickers that are commonly used as office supplies.

Enjoy your banner!



Anyone may reproduce this free craft page and distribute it as long as its copyright notice remains in place, but it may not be sold under any circumstances whatsoever.
© Quality-Kids-Crafts.com 2008. All Rights Reserved. Please supervise children at all times. And hug them a lot!

Please use your discretion in using this craft page, keep it safe! Quality-Kids-Crafts is not liable for misuse of any unsafe practices while facilitated and will not be held responsible for any bad stuff that happens, okay? Thanks!

Free Birthday Craft

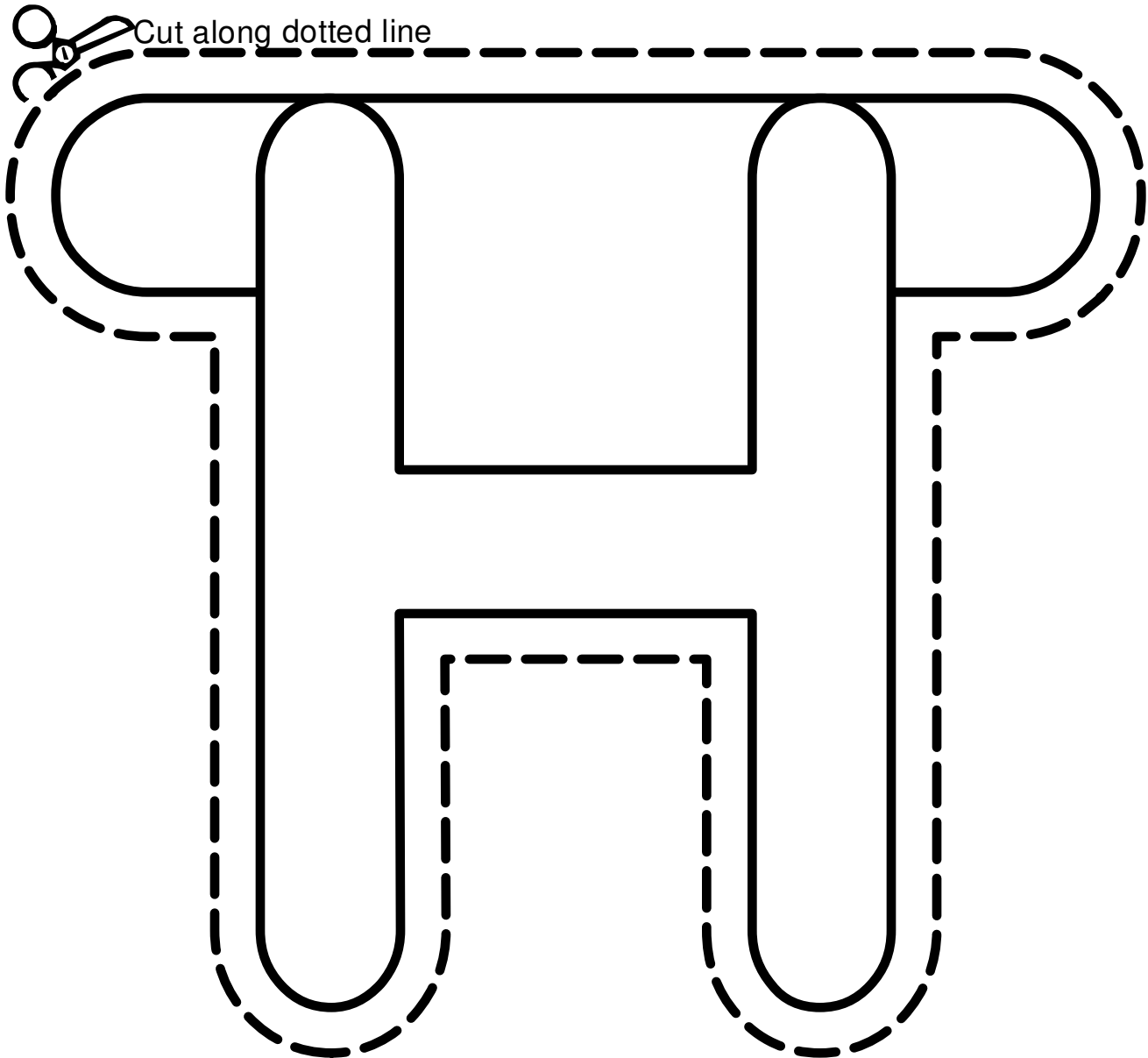
Printable Banner Letter H

www.Quality-Kids-Crafts.com

Directions: Print the letters you want to use for your banner on paper or card stock. Decorate as desired.

To put your banner together, consider punching holes with a hole punch on the top tab area of the letters. Join with paper fasteners (sometimes called brads) or string, ribbon or curling ribbon. You may choose to reinforce the holes by placing tape over the area where the hole will be before punching, or by using hole reinforcer stickers that are commonly used as office supplies.

Enjoy your banner!



Anyone may reproduce this free craft page and distribute it as long as its copyright notice remains in place, but it may not be sold under any circumstances whatsoever.
© Quality-Kids-Crafts.com 2008. All Rights Reserved. Please supervise children at all times. And hug them a lot!

Please use your discretion in using this craft page, keep it safe! Quality-Kids-Crafts is not liable for misuse of any unsafe practices while facilitated and will not be held responsible for any bad stuff that happens, okay? Thanks!

Free Birthday Craft

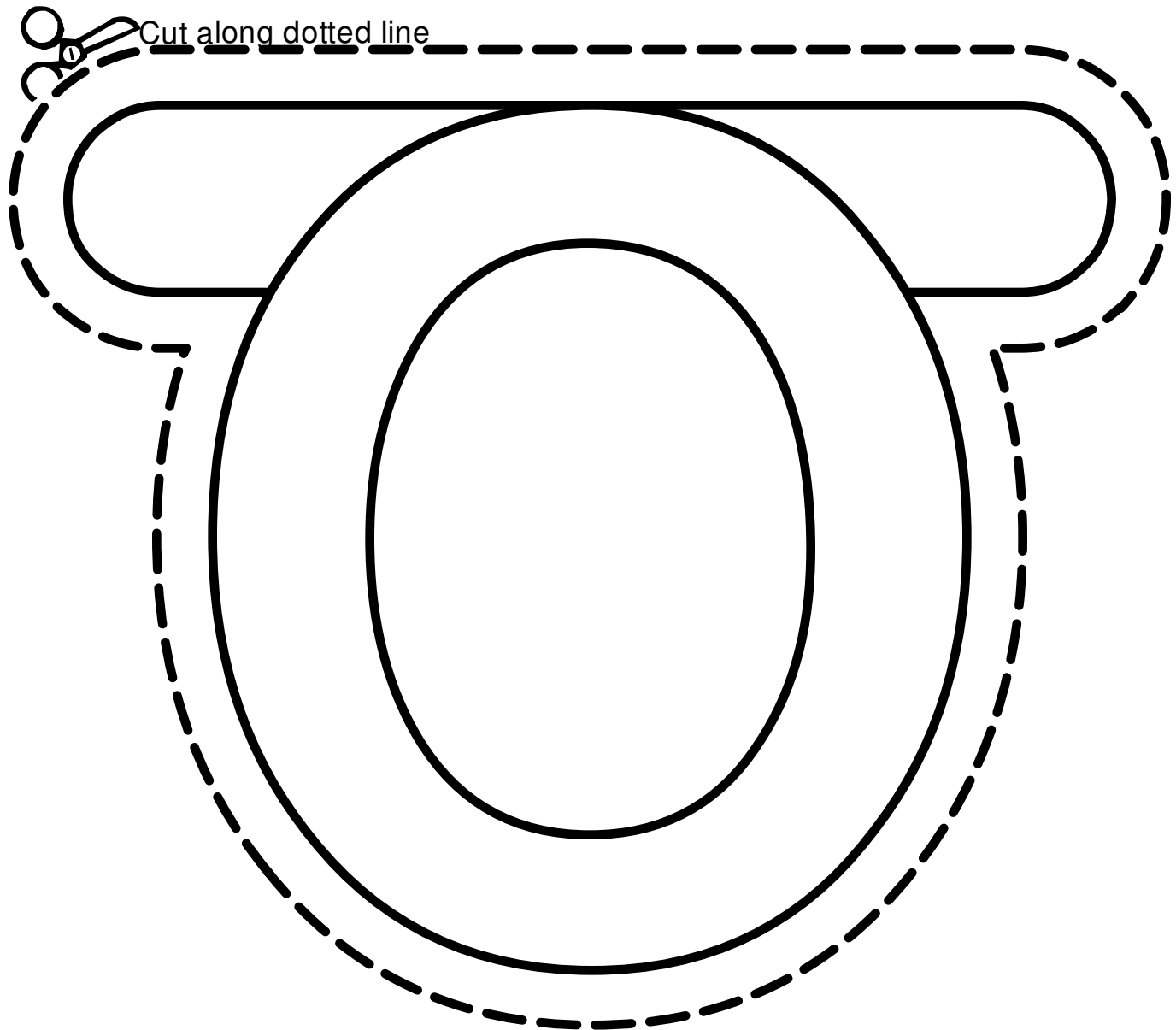
Printable Banner Letter O

www.Quality-Kids-Crafts.com

Directions: Print the letters you want to use for your banner on paper or card stock. Decorate as desired.

To put your banner together, consider punching holes with a hole punch on the top tab area of the letters. Join with paper fasteners (sometimes called brads) or string, ribbon or curling ribbon. You may choose to reinforce the holes by placing tape over the area where the hole will be before punching, or by using hole reinforcer stickers that are commonly used as office supplies.

Enjoy your banner!



Anyone may reproduce this free craft page and distribute it as long as its copyright notice remains in place, but it may not be sold under any circumstances whatsoever.
© Quality-Kids-Crafts.com 2008. All Rights Reserved. Please supervise children at all times. And hug them a lot!

Please use your discretion in using this craft page, keep it safe! Quality-Kids-Crafts is not liable for misuse of any unsafe practices while facilitated and will not be held responsible for any bad stuff that happens, okay? Thanks!

Free Birthday Craft

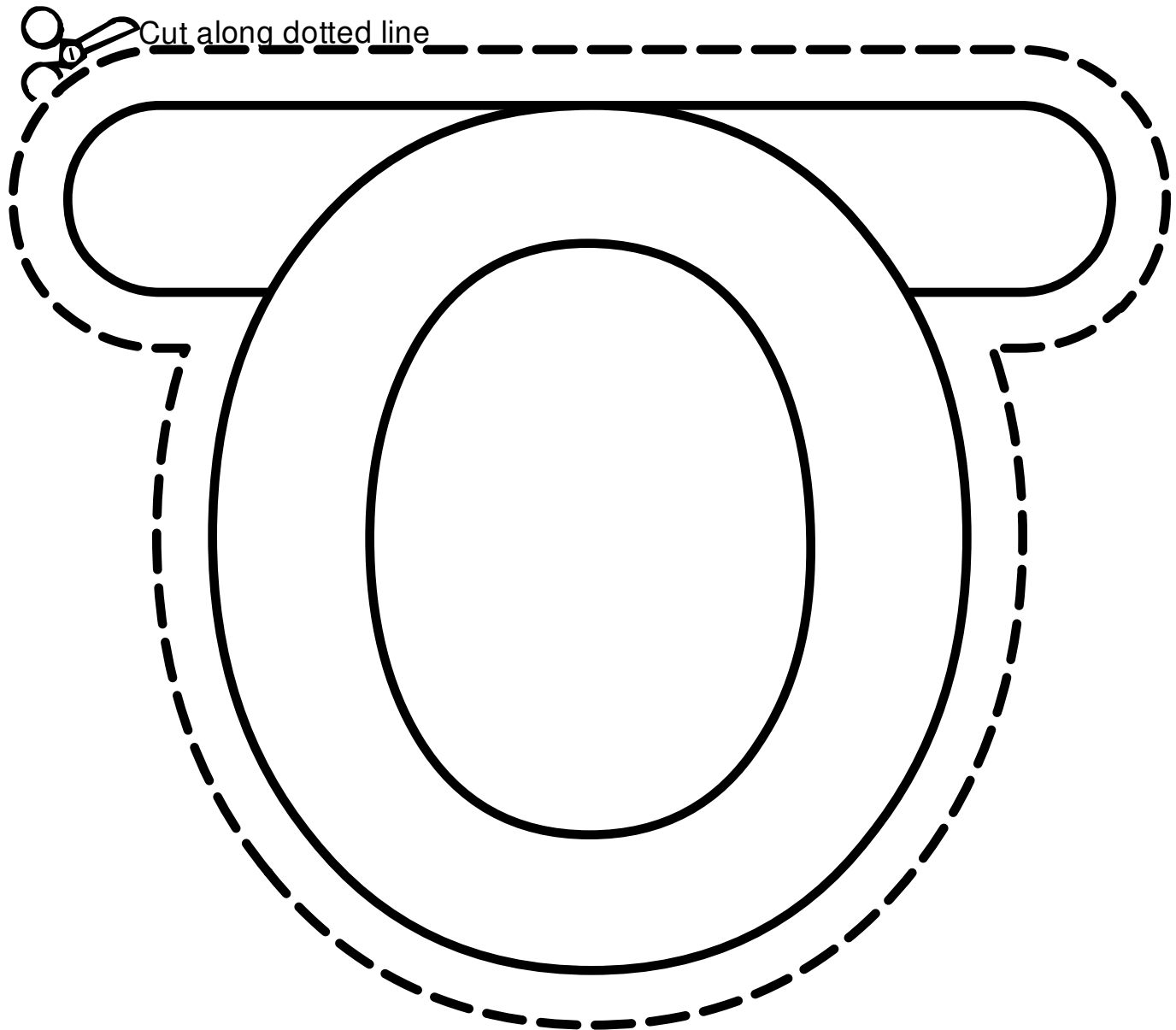
Printable Banner Letter O

www.Quality-Kids-Crafts.com

Directions: Print the letters you want to use for your banner on paper or card stock. Decorate as desired.

To put your banner together, consider punching holes with a hole punch on the top tab area of the letters. Join with paper fasteners (sometimes called brads) or string, ribbon or curling ribbon. You may choose to reinforce the holes by placing tape over the area where the hole will be before punching, or by using hole reinforcer stickers that are commonly used as office supplies.

Enjoy your banner!



Anyone may reproduce this free craft page and distribute it as long as its copyright notice remains in place, but it may not be sold under any circumstances whatsoever.
© Quality-Kids-Crafts.com 2008. All Rights Reserved. Please supervise children at all times. And hug them a lot!

Please use your discretion in using this craft page, keep it safe! Quality-Kids-Crafts is not liable for misuse of any unsafe practices while facilitated and will not be held responsible for any bad stuff that happens, okay? Thanks!

Free Birthday Craft

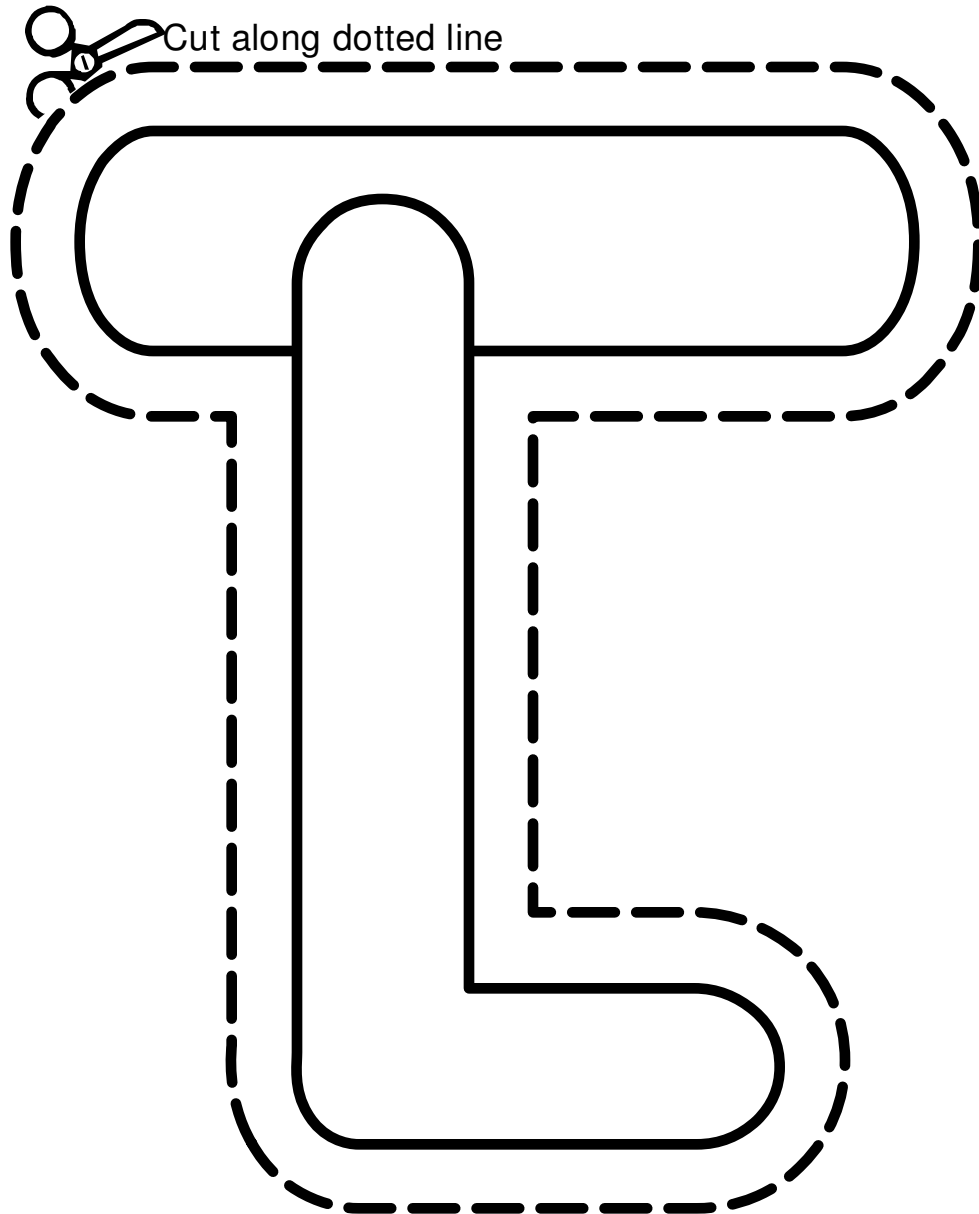
Printable Banner Letter L

www.Quality-Kids-Crafts.com

Directions: Print the letters you want to use for your banner on paper or card stock. Decorate as desired.

To put your banner together, consider punching holes with a hole punch on the top tab area of the letters. Join with paper fasteners (sometimes called brads) or string, ribbon or curling ribbon. You may choose to reinforce the holes by placing tape over the area where the hole will be before punching, or by using hole reinforcer stickers that are commonly used as office supplies.

Enjoy your banner!



Anyone may reproduce this free craft page and distribute it as long as its copyright notice remains in place, but it may not be sold under any circumstances whatsoever.
© Quality-Kids-Crafts.com 2008. All Rights Reserved. Please supervise children at all times. And hug them a lot!

Please use your discretion in using this craft page, keep it safe! Quality-Kids-Crafts is not liable for misuse of any unsafe practices while facilitated and will not be held responsible for any bad stuff that happens, okay? Thanks!